

Gatorgrinder

Standard Discharge Plumbing

Installation Instructions



The Gatorgrinder discharge piping kit supplied includes all of the necessary components to support connection of the grinder pump discharge to the tank discharge fitting.

Verify that the discharge piping kit included is appropriate for the station height being installed. Table 1 provides the discharge kit required for each Gatorgrinder station height.

A Teflon thread sealant, suitable for use on PVC pipe and fittings should be applied to all threaded

Table 1

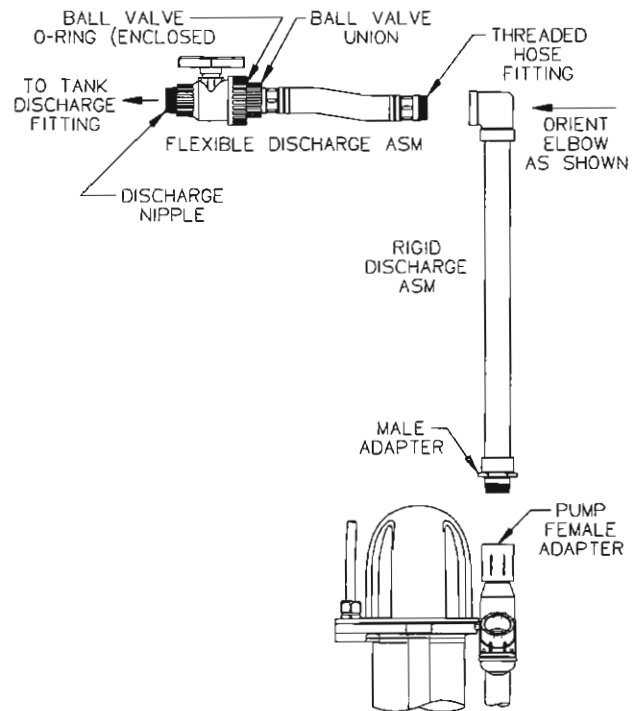
Discharge Kit Part No.	Tank Height
PC0731G01	48"
PC0731G02	60"
PC0731G03	72"
PC0731G04	84"
PC0731G05	96"

joints during assembly. To avoid damage to the fittings, do not overtighten the threaded joints. Typically, 1/2 to 1-1/2 turns beyond hand tight will produce a leak proof seal. The following steps describe the installation of the Standard Discharge Piping kit (Refer to Figure A):

- a.) Apply thread sealant to the male adapter on the rigid discharge assembly. Thread the male adapter into the female adapter on the grinder pump discharge.
- b.) Tighten the male adapter; the elbow at the top of the rigid assembly should be oriented as shown in Figure A to allow the flexible assembly to cross over the top of the grinder pump.
- c.) Remove the PVC hose from the flexible discharge assembly by separating the ball valve union. Leave the union nut in place on the flexible hose.
- d.) Apply thread sealant to the threads on the flexible hose end. Install the threaded hose adapter into the elbow on the top of the rigid discharge assembly. Tighten threaded hose adapter into elbow.

- e.) Apply thread sealant to the nipple on the discharge assembly ball valve. Install the ball valve assembly into the tank discharge fitting inside of the fiberglass tank. Tighten ball valve assembly in the tank discharge fitting orienting the ball valve handle so that it is accessible from the top of the fiberglass tank.
- f.) Verify that the O-ring is in place on the face of the ball valve assembly.
- g.) Using the pump lifting harness, lower the grinder pump into the fiberglass tank. Align the free end of the flexible hose on the pump with the ball valve assembly installed in the tank.

Using the union nut, connect the flexible PVC hose end to the ball valve assembly. Tighten the nut on the ball valve union.



Environment One Corporation
2773 Balltown Road
Niskayuna, New York 12309